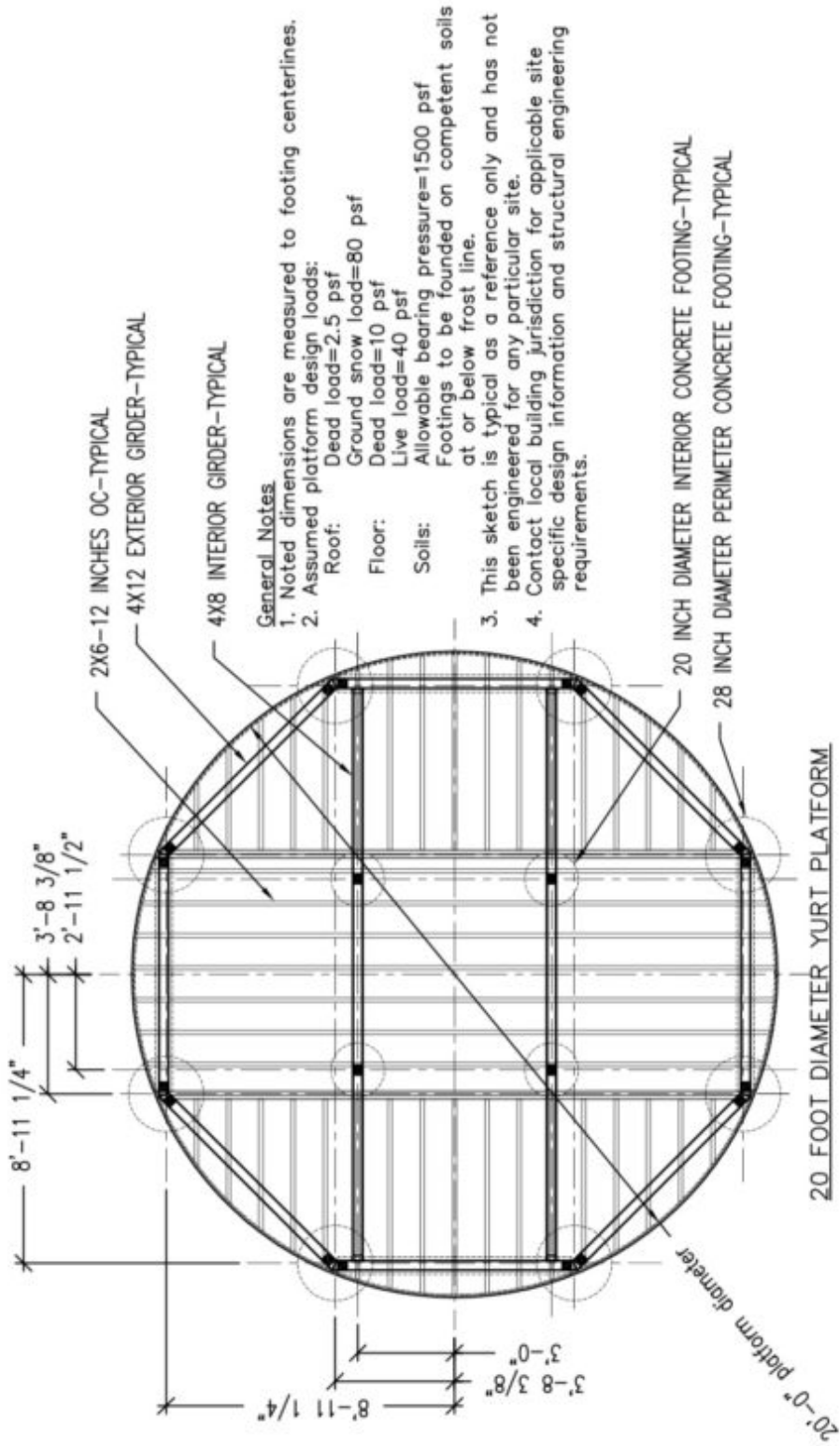


NOT FOR SIPS FLOOR



General Notes

1. Noted dimensions are measured to footing centerlines.
2. Assumed platform design loads:
 Roof: Dead load=2.5 psf
 Ground snow load=80 psf
 Floor: Dead load=10 psf
 Live load=40 psf
 Soils: Allowable bearing pressure=1500 psf
 Footings to be founded on competent soils at or below frost line.
3. This sketch is typical as a reference only and has not been engineered for any particular site.
4. Contact local building jurisdiction for applicable site specific design information and structural engineering requirements.